



Scan QR code to view online



Image shows Model CSB Cleaner's Sink with Wall Brackets

features and benefits

- Grade 304 S.S. satin finish tub
- Grade 304 S.S. hinged bucket grate
- Large 46L bowl capacity
- Adjustable support legs optional
- 50mm waste & wall brackets supplied
- Suits cleaner's rooms
- Optional 600mm high splashback

about

The *BRITEX Stainless Steel Cleaner's Sink* consists of an extra large grade 304 stainless steel 46 litre tub and a robust stainless steel hinged grate for support and storage of buckets. This is an extremely sturdy, heavy duty product designed to handle significant wear and tear. Available with wall brackets (Model CSB), or with wall brackets and adjustable front legs (Model CSL). Additional splashback (up to 900mm high) optional.

sample spec. text

*BRITEX Cleaner's Sink - 600x500x250mm Deep. 46L Bowl Capacity. Supplied with stainless steel bucket grate, wall brackets, **front legs** and 50mm waste outlet - Product Code CSX*

*RED TEXT may denote a **variable** where one option only is to be selected, a **nominal dimension** that needs to be specified, or an **optional feature** that can be removed if not required. Please refer to the back of this page for additional specification details and options.

VISIT BRITEX.COM.AU TO DOWNLOAD BIM FILES, CAD DRAWINGS AND THE MOST CURRENT PRODUCT LITERATURE.



MELBOURNE
Britex Place, Mirra Crt
Bundoora VIC 3083
t (03) 9466 9000
f (03) 9466 9044

SYDNEY
16 Northumberland Drv
Taren Point NSW 2229
t (02) 9531 2100
f (02) 9531 2800

PERTH
Unit 1/8 Principal Link
Malaga WA 6090
t (08) 9249 5464
f (08) 9248 6893

BRISBANE
19 Manilla St
East Brisbane QLD 4169
t (07) 3363 2400
f (07) 3363 2444

ADELAIDE
The Britex Group
SA State Office
t 1300 764 744
f 1300 784 306

CLEANER'S SINK

PRODUCT CODE

CSB with Wall Brackets only

CSL with Wall Brackets and Legs

Suggested Tapware:

(see Tapware Section: 11 for complete range of options)



TW-SET-01
Wall Sink Set
with Fixed Spout



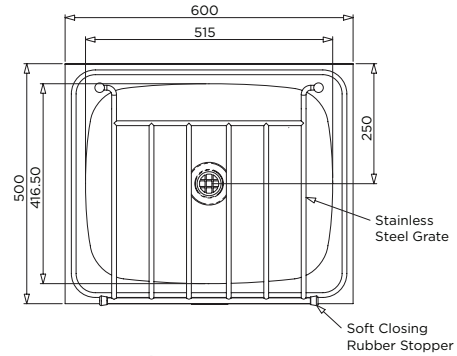
TW-SET-04
Wall Sink Set
with Upswept
Swivel Spout



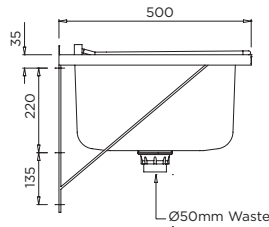
TW-SET-05
Wall Sink Set
with Gooseneck
Swivel Spout



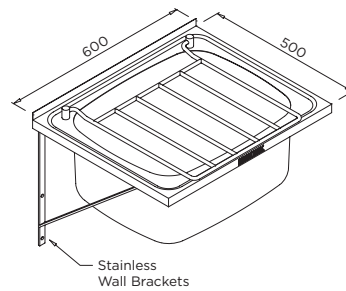
TW-0010/TW-0011
Vandal Resistant
Hot and Cold
Deluxe Bib Taps



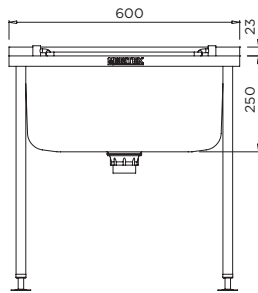
MODEL CSB/ CSL Plan



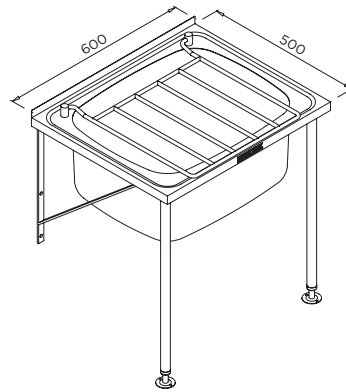
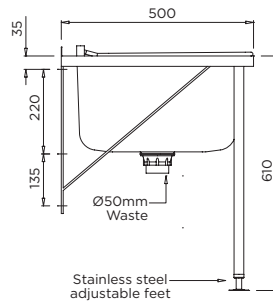
MODEL CSB Side and Front Elevation



MODEL CSB Isometric View



MODEL CSL Side and Front Elevation



MODEL CSL Isometric View

When specifying this product please include:



- Product **Name** and **Code**
- Product **Dimensions**
- **Mounting Type** (brackets and legs or wall brackets only)



- Splashback panel - up to 1000mm
- Tapware
- Support legs

VISIT BRITEX.COM.AU TO DOWNLOAD BIM FILES, CAD DRAWINGS AND THE MOST CURRENT PRODUCT LITERATURE.

Last Revised June 2017



britex.com.au | info@britex.com.au | A.B.N 83 004 309 737

Due to ongoing research and our commitment to product development, details are subject to change without notice. Details accurate at time of print. Please refer to britex.com.au for the most current product information. Allow +/- 5mm tolerance for dimensions and setouts shown in product literature.

